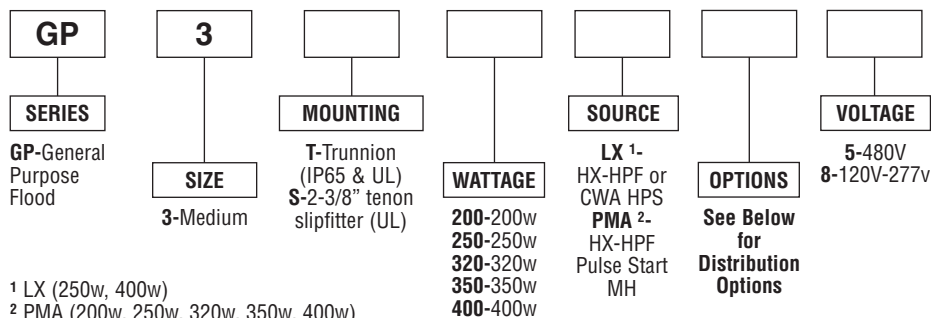


GP Flood Series Floodlighting GP3 (Medium)



ORDERING INFORMATION

Catalog Number: Example: GP3T200PMAL-5



PRODUCT SPECIFICATIONS

- The GP Flood combines architectural design with on-site versatility and is designed for general purpose floodlighting applications
- Applications include security, roadway, area, accent, facade, recreational fields, flagpole, and sign lighting
- Mounting options for poles, walls and ground/flood are available
- Reflectors include general purpose and cutoff optics
- Fixtures available with trunnion (IP65 and UL) and slipfitter (UL) mounting
- IP65 Rated using trunnion mounting for extra protection against water, dust and debris

(Consult factory for IP65 slipfitter option)

- Keyhole slots on trunnion facilitate hands-free mounting
- One piece die cast aluminum door with clear tempered glass lens is hinged to the die cast aluminum housing for easy maintenance
- Extruded silicone rubber gasket for long life
- Integral heat sink ensures cool operation.
- ED28 lamps for pulse start metal halide and ED18 lamps for high pressure sodium
- Lens screws are captive stainless steel fasteners
- Duraplex II dark bronze polyester powder finish is standard and also available in a variety of designer colors
- Unit can be aimed above or below horizontal
- Available with vandal shields, wire guards and glare shields
- Published 5-year limited warranty

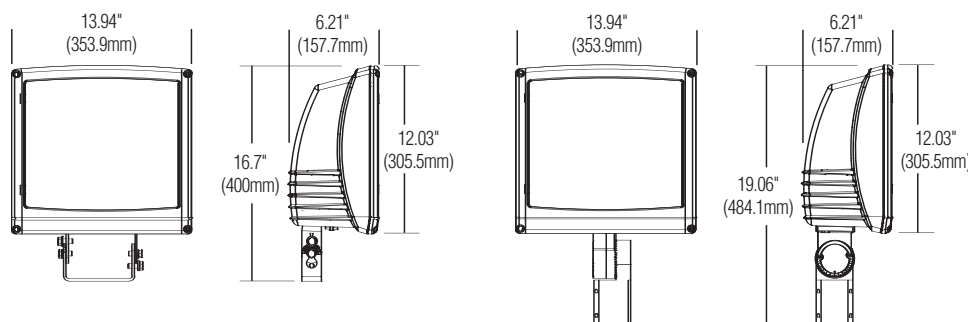
ACCESSORIES

GP3GS = Visor
GP3WG = Wire Guard
GP3VS = Vandal Shield

OPTIONS

L = Lamped
BLANK = General Purpose Optics
C = Cutoff Optics
PCB = Button Photo Control with Shorting Cap
TLR = Twist Lock Receptacle with Shorting Cap
TRP = Twist Lock Receptacle with Photo Control
FS = Fusing

TECHNICAL INFORMATION



IP65 Rated
 UL Wet Location Listed
 Suitable for ground mounting

